

**Important:** If you are not a trained motorcycle mechanic stop now. Ask a local motorcycle shop to do the work for you!

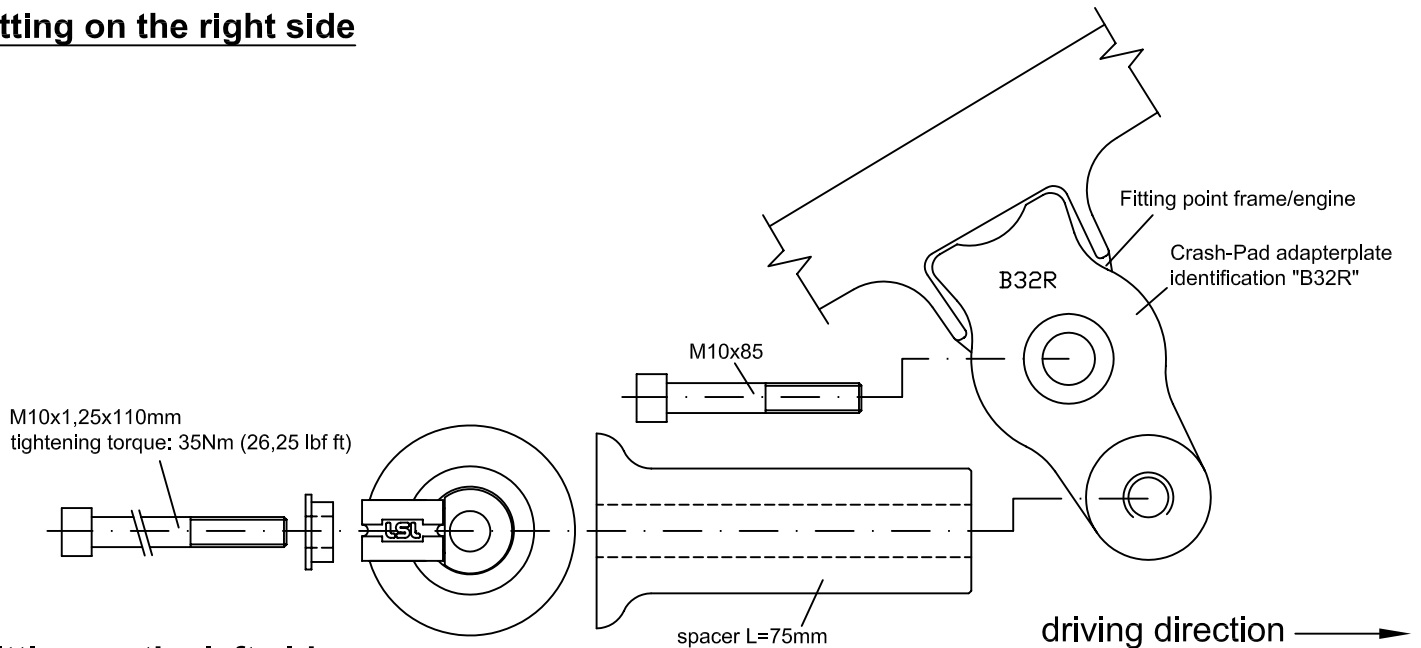
**Please take extra care!**

You have to mount the crash pads one side after the other!

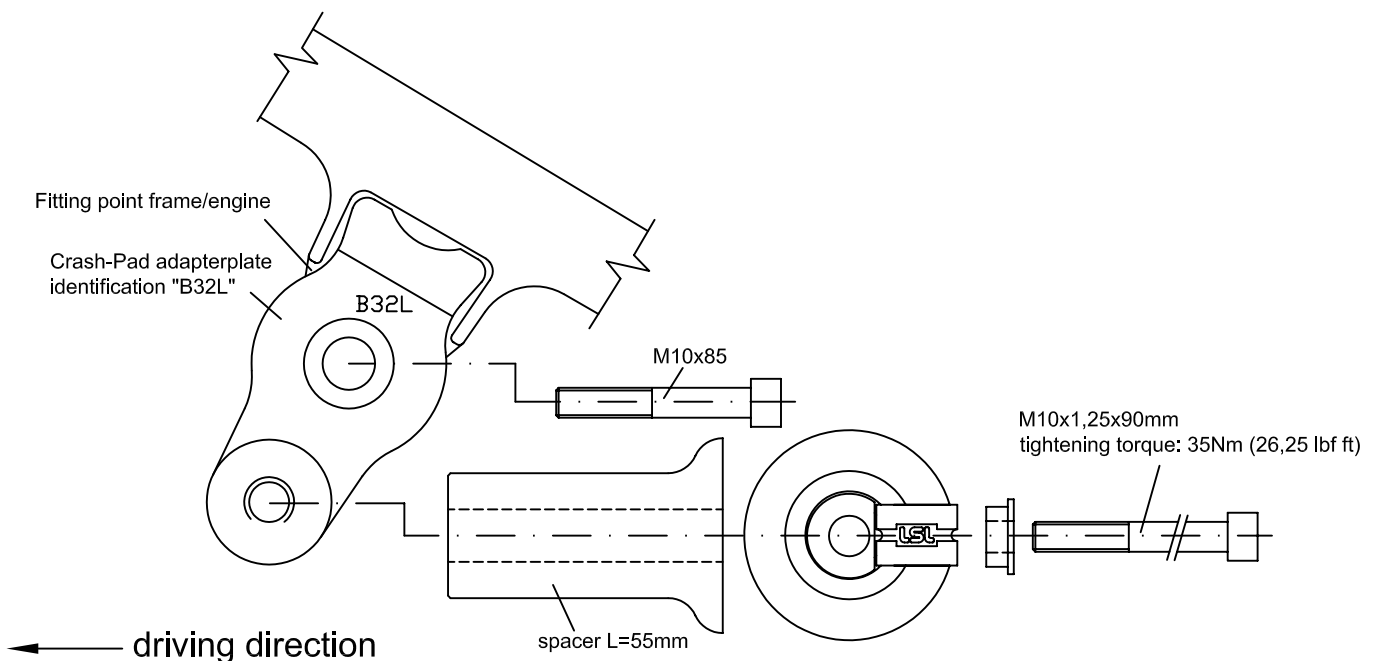
Do not loose more than one engine bolt at the same time!

For tightening torques of the engine bolts M10x85 look at the work shop manual!

**Fitting on the right side**



**Fitting on the left side**



D – 47809 Krefeld

[www.lsl-motorradtechnik.de](http://www.lsl-motorradtechnik.de)

