

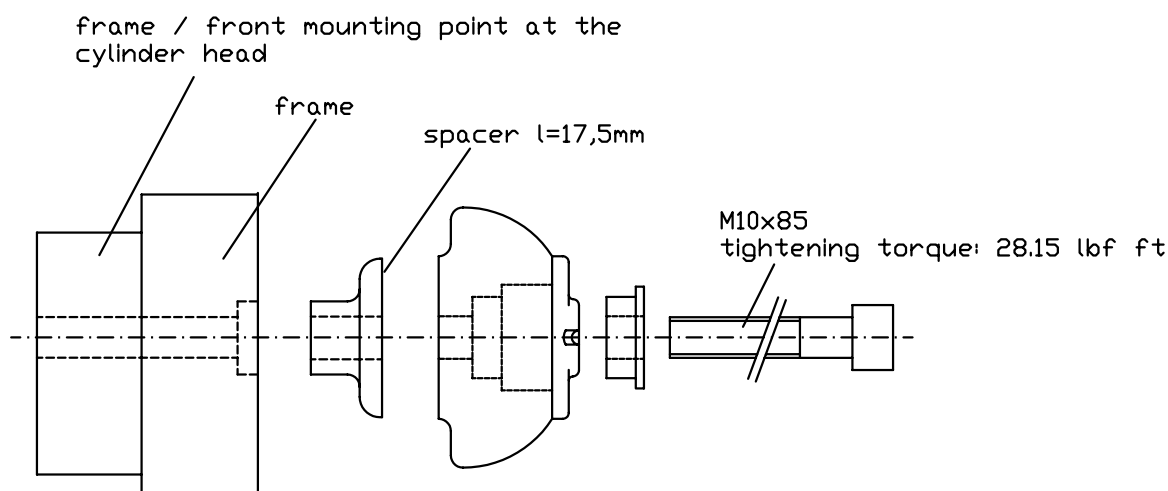
Replace the original crash pads to the LSL-Crash Pad kit!

Important: If you are not a trained motorcycle mechanic stop now. Ask a local motorcycle shop to do the work for you.

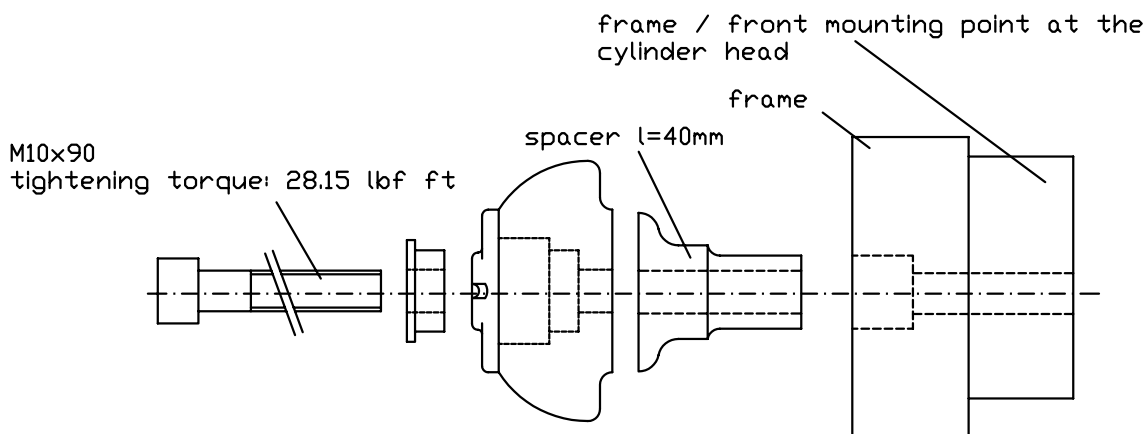
Please take extra care!

The mounting of the crash-pads has to be done side by side! At all times you have to prevent that the engine mounting bolts are not loose at the same moment!

Fitting on the right side



Fitting on the left side



D – 47809 Krefeld

www.lsl-motorradtechnik.de