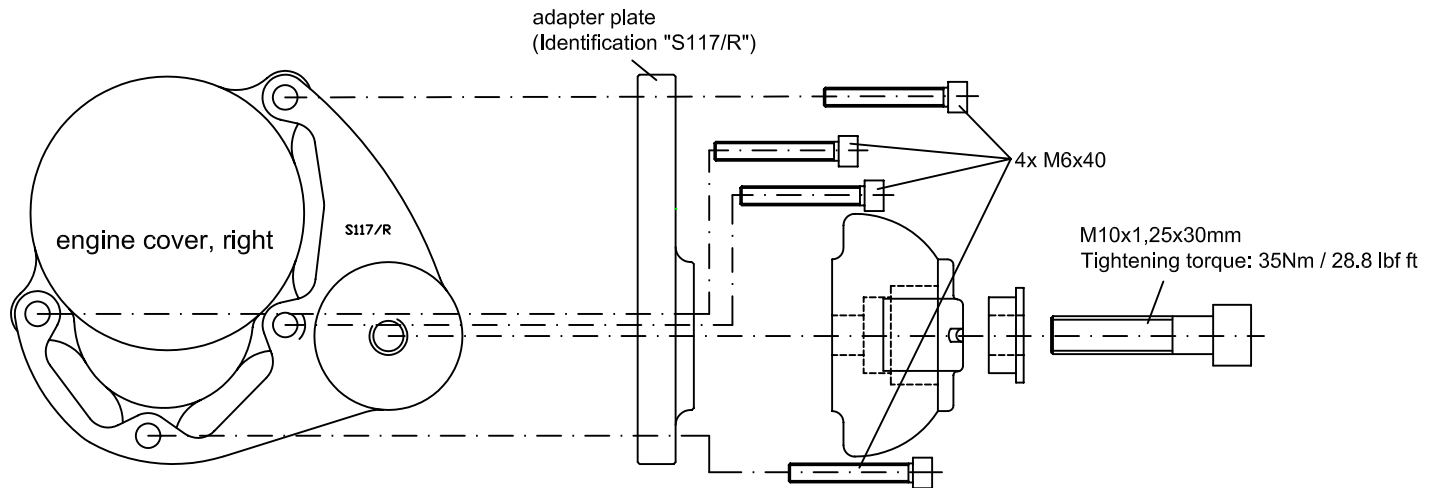


Important: If you are not a trained motorcycle mechanic stop now. Ask a local motorcycle shop to do the work for you.

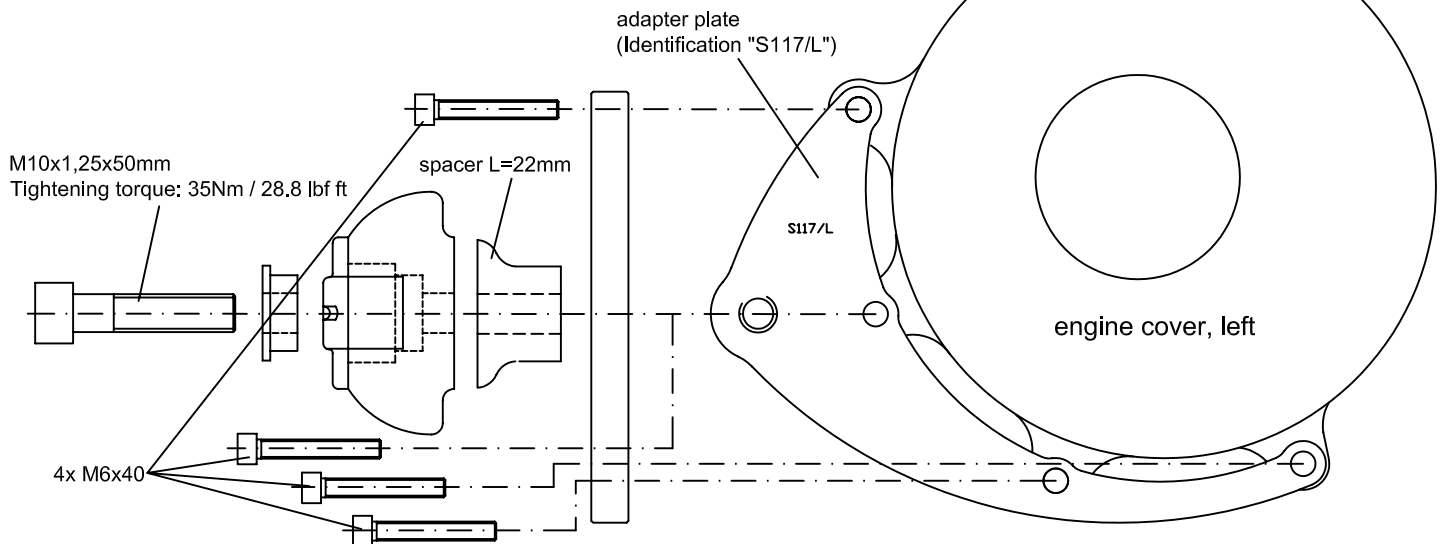
Please take extra care!

The tightening torques for the engine cover bolts refer to the manufacturer's instructions!

Fitting on the right side:



Fitting on the left side:



LSL-Motorradtechnik GmbH • D-47809 Krefeld

www.lsl.eu

Rev. 01 10/03/2009

