

# Fitting instruction Crash-Pads KTM SuperDuke / Supermoto 990 '05→ / '06→

## Part-no.: 550KT07.1

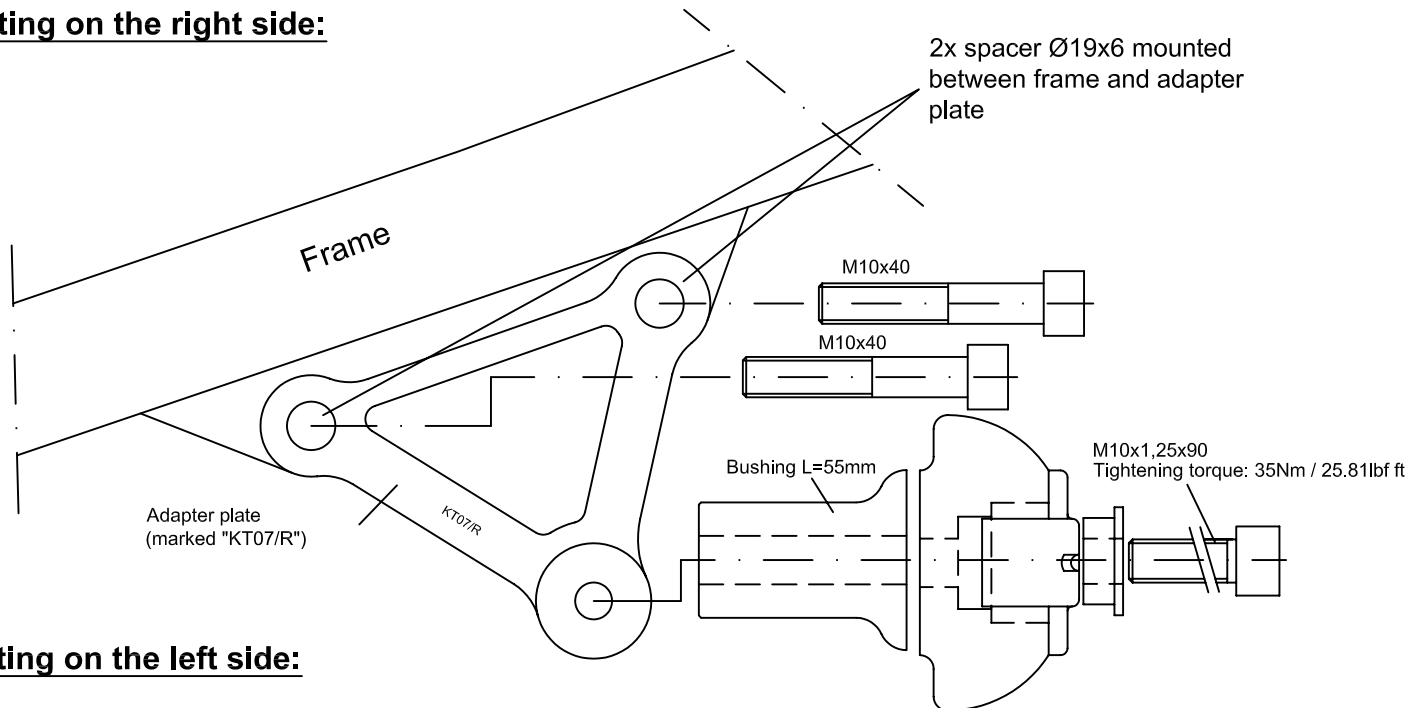
**Important:** If you are not a trained motorcycle mechanic stop now. Ask a local motorcycle shop to do the work for you.

### **Please take extra care!**

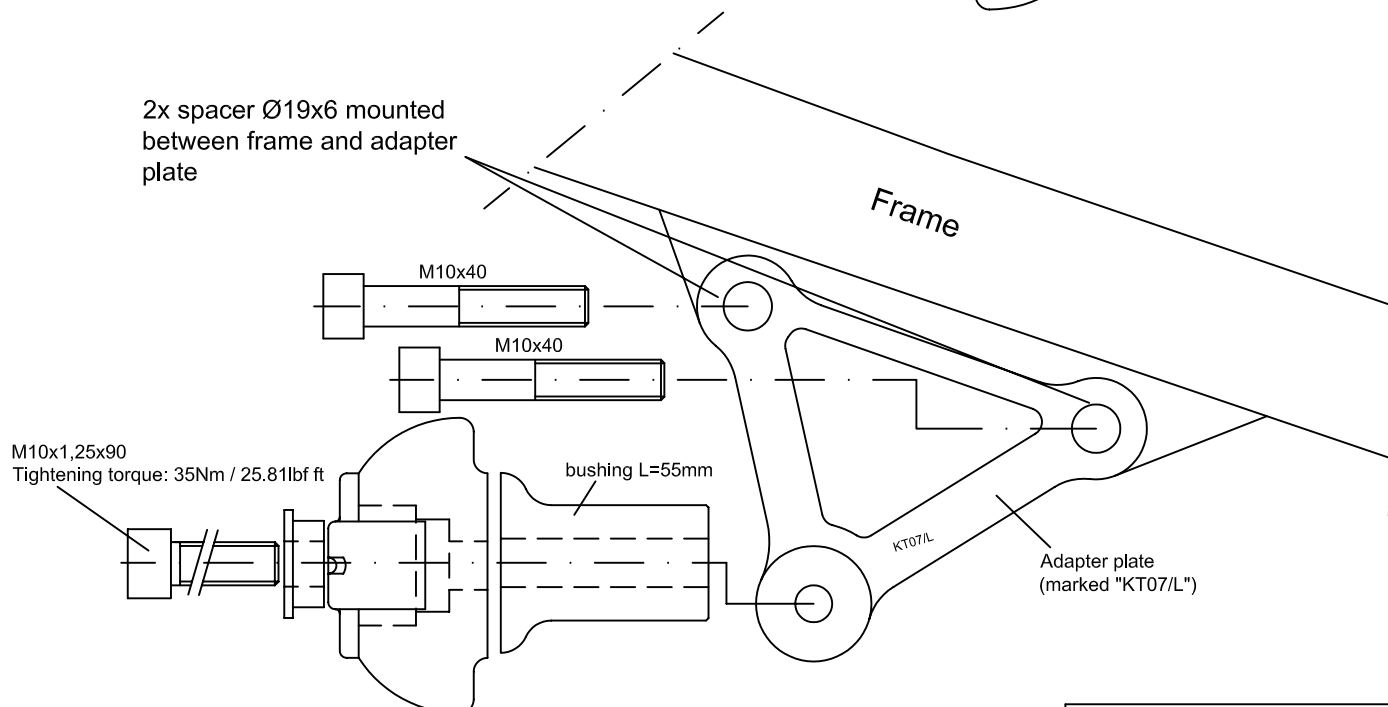
You need to mount the Crash-Pads one side after the other! Do not loose more than the two engine mounting bolts on one side at the same time!

The tightening torques refers to the manufacturer's instructions!

### **Fitting on the right side:**



### **Fitting on the left side:**



LSL-Motorradtechnik GmbH • D-47809 Krefeld

[www.lsl.eu](http://www.lsl.eu)

Rev. 02 02/02/2009

