

## Fitting instruction Crash-Pads Kawasaki ZX-6R/RR '05 - '06 Part.no.: 550K107.1

**Important:** If you are not a trained motorcycle mechanic stop now. Ask a local motorcycle shop to do the work for you.

**Please take extra care!**

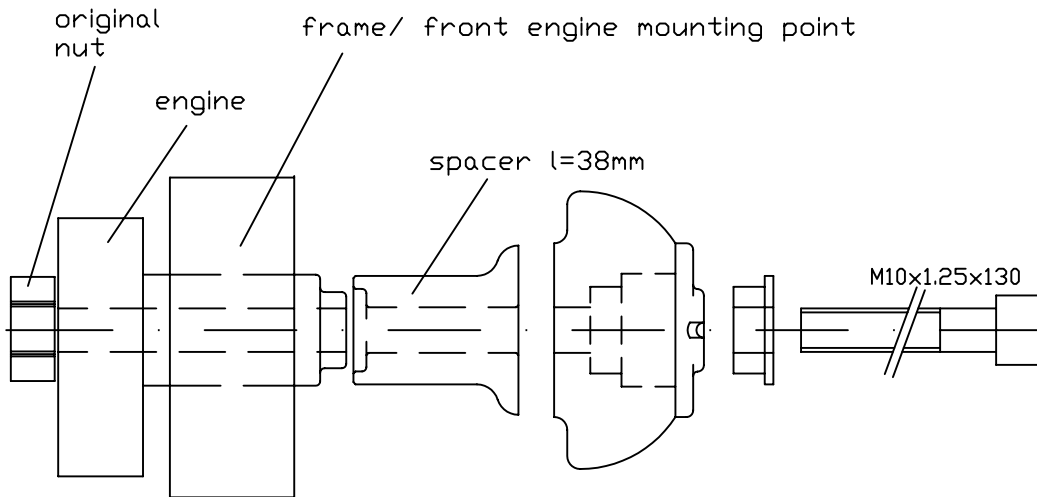
You have to mount the crash-pads one side after the other! Do not loose more then one engine mounting bolt at the same time!

The tightening torques refer to the manufacturer's instructions!

The cowling remains unmodified!

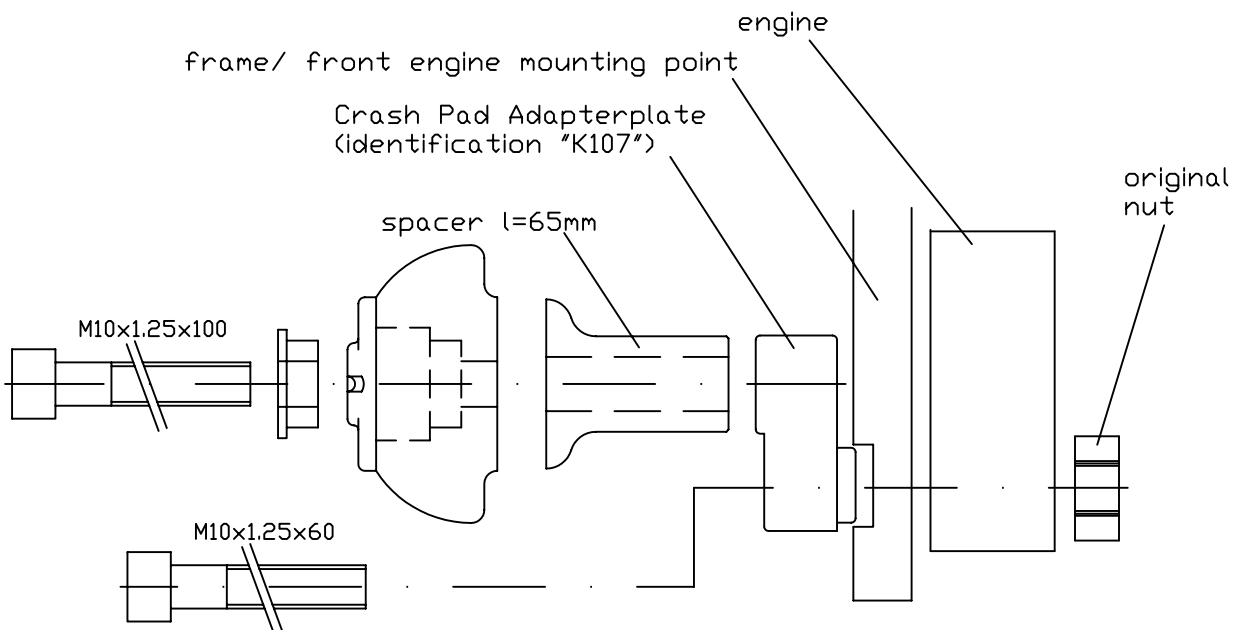
**Fitting of the right side:**

(View from the rear)



**Fitting of the left side:**

(View from the rear)



LSL-Motorradtechnik GmbH • D-47809 Krefeld

[www.lsl-motorradtechnik.de](http://www.lsl-motorradtechnik.de)

Stand: 26.10.2006

