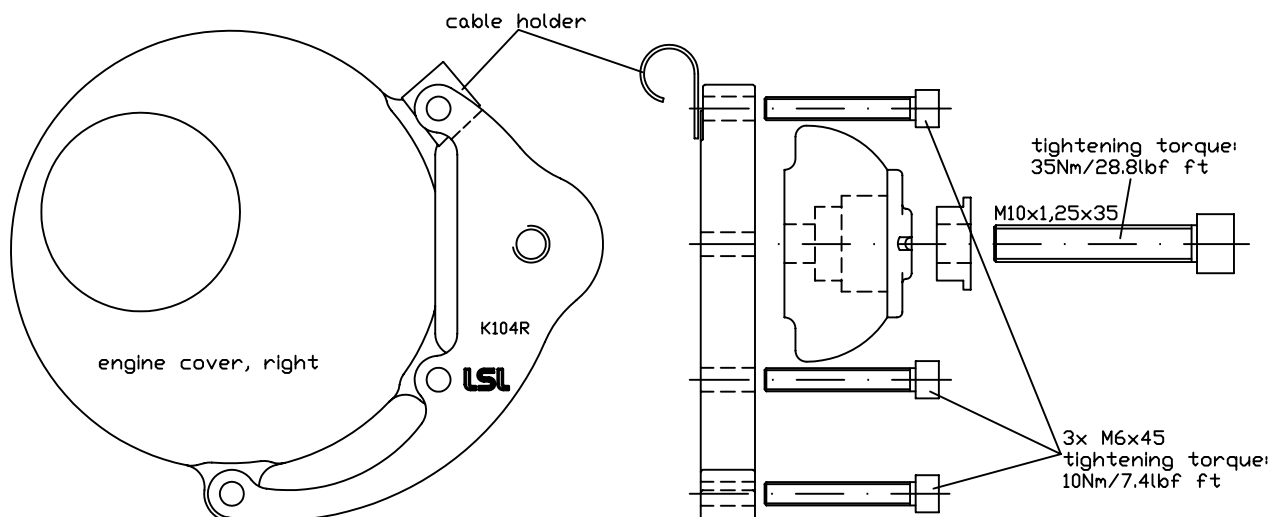


# Fitting instruction Crash-Pads Kawasaki Z750 '04 - '06 & Z1000 '03 - '06

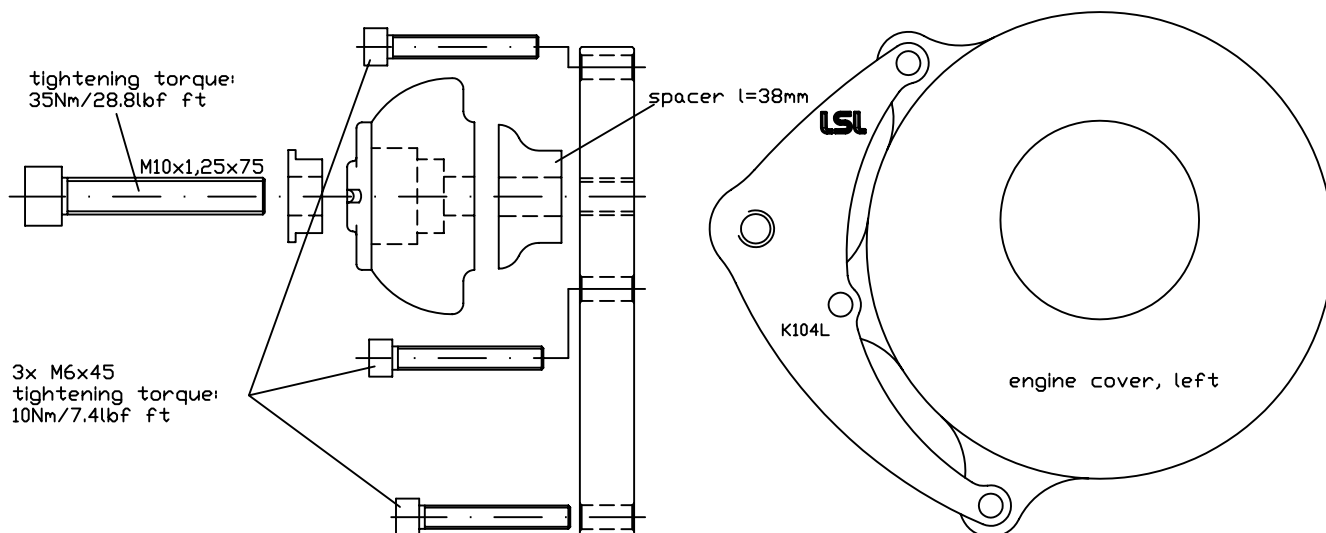
## Part.no.: 550K104

**Important:** If you are not a trained motorcycle mechanic stop now. Ask a local motorcycle shop to do the work for you.

### Fitting of the right side:



### Fitting of the left side:



LSL-Motorradtechnik GmbH • D-47809 Krefeld

[www.lsl.eu](http://www.lsl.eu)

Rev. 01 02/03/2009

