

Important: If you are not a trained motorcycle mechanic stop now. Ask a local motorcycle shop to do the work for you.

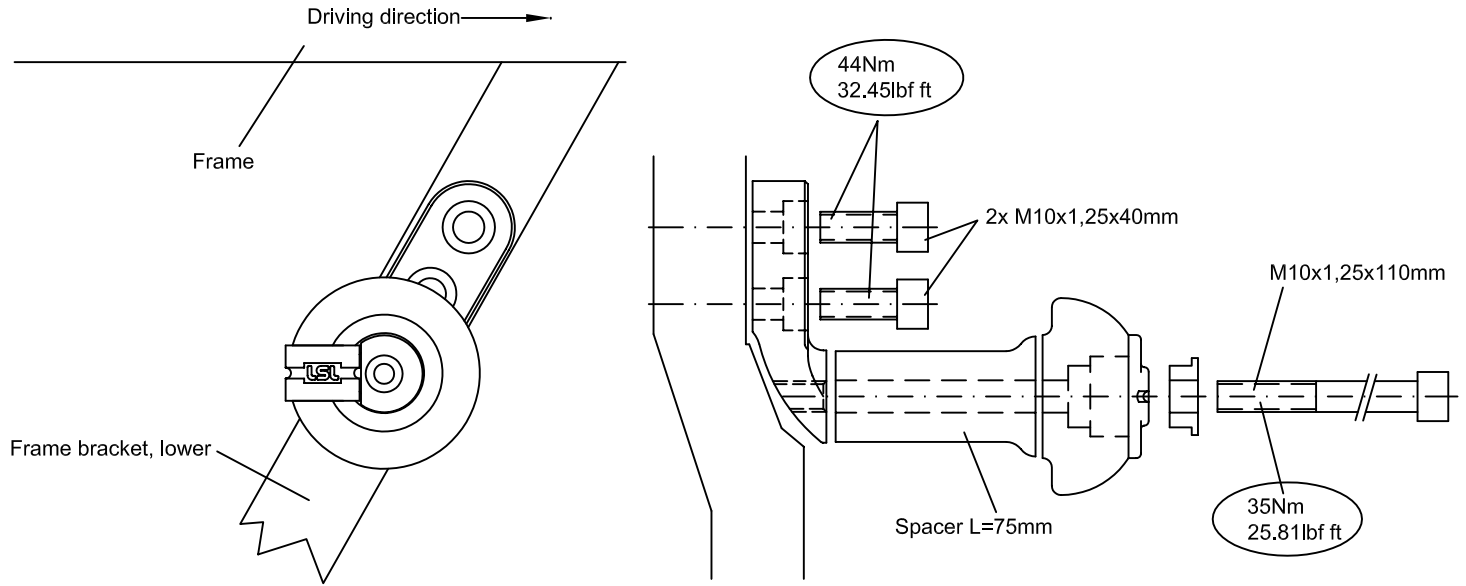
Please take extra care!

You have to mount the crash-pads one side after the other! Do not loose more than two frame connecting bolts at the same time!

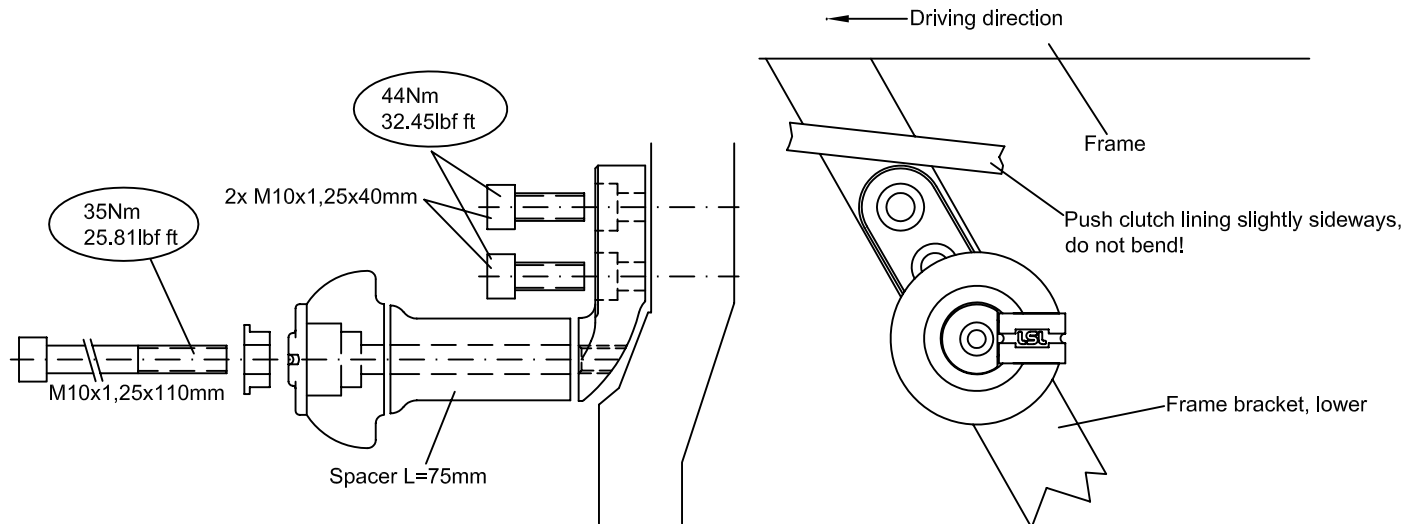
The mounting can be done w/o removing the cowling!

The cowling remains unmodified!

Fitting on the right side:



Fitting on the left side:



LSL-Motorradtechnik GmbH • D-47809 Krefeld

www.lsl.eu

Rev. 00 09/02/2009

