

Fitting instruction Crash Pads Honda CBR 1000 RR '06- Part.No.: 550H114

Important: If you are not a trained motorcycle mechanic stop now. Ask a local motorcycle shop to do the work for you!

Please take extra care!

You have to mount the crash pads one side after the other!

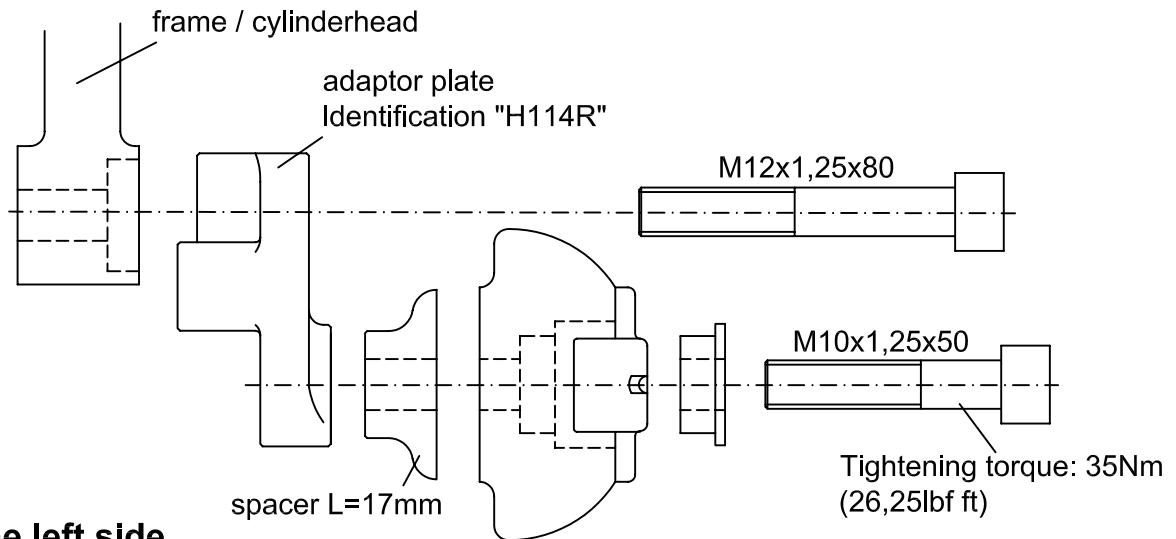
At all times you have to prevent that the engine mounting bolts are loose at the same moment!

Either cut the land edge of the fairing or fit the attached spacer L=9mm over the mounting point of the crash pad adaptor plate and fit them with the screws M6x20+washers!

For tightening torque of the engine bolts look at the work shop manual!

Fitting on the right side

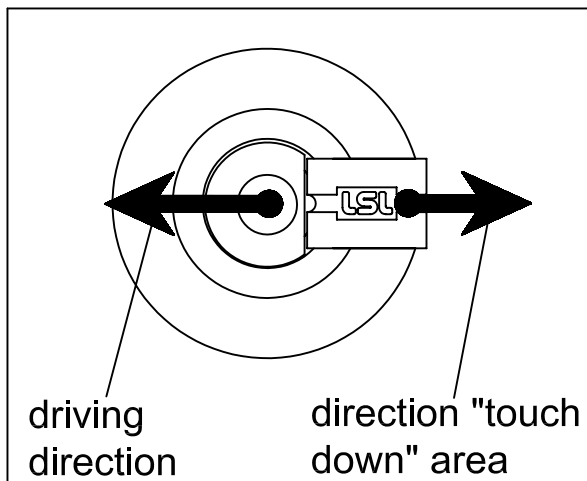
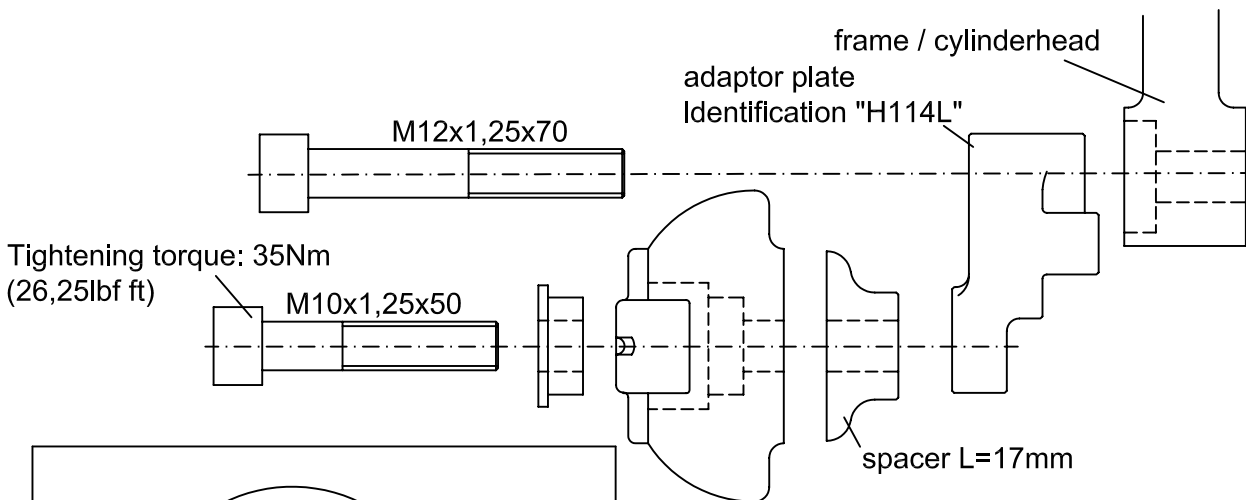
(view from rear)



Fitting on the left side

(view from rear)

Important: Route the cable of the generator along the flange of the water pump and the frame! Don't squeeze!



LSL-Motorradtechnik GmbH • D-47809 Krefeld

www.lsl-motorradtechnik.de

Stand: 05/2006