

Mounting instruction Crash-Pads Honda CB 1300

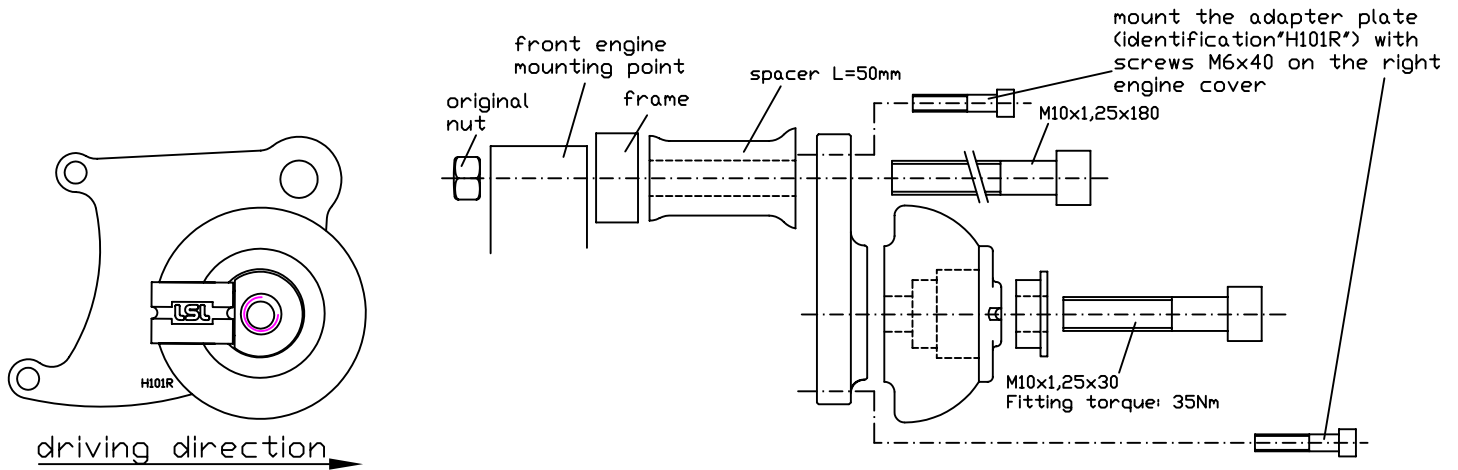
Part.-No.: 550H101

Important: If you are not a trained motorcycle mechanic stop now. Ask a local motorcycle shop to do the work for you.

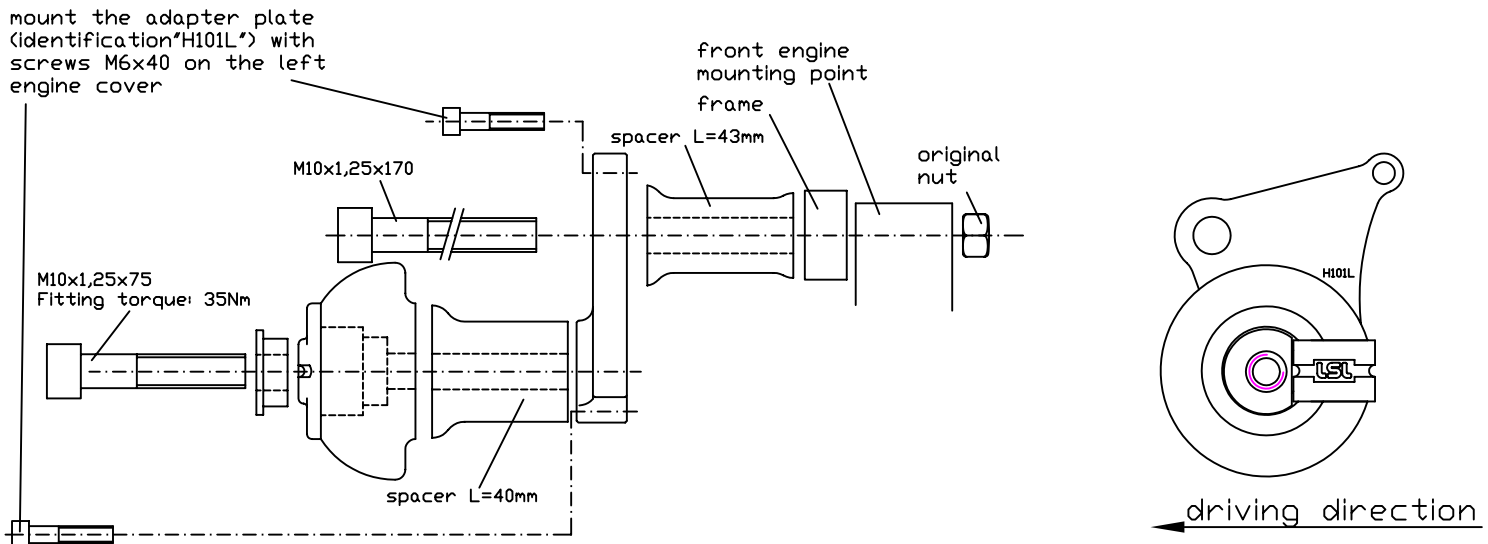
Please take extra care!

The mounting of the crash-pads has to be done side by side! At all times you have to prevent that the engine mounting bolts are not loose at the same time!

Fitting on the right side



Fitting on the left side



LSL-Motorradtechnik GmbH • D-47809 Krefeld

www.lsl.eu

Rev. 01 16/03/2009