

**Important:** If you are not a trained motorcycle mechanic stop now. Ask a local motorcycle shop to do the work for you.

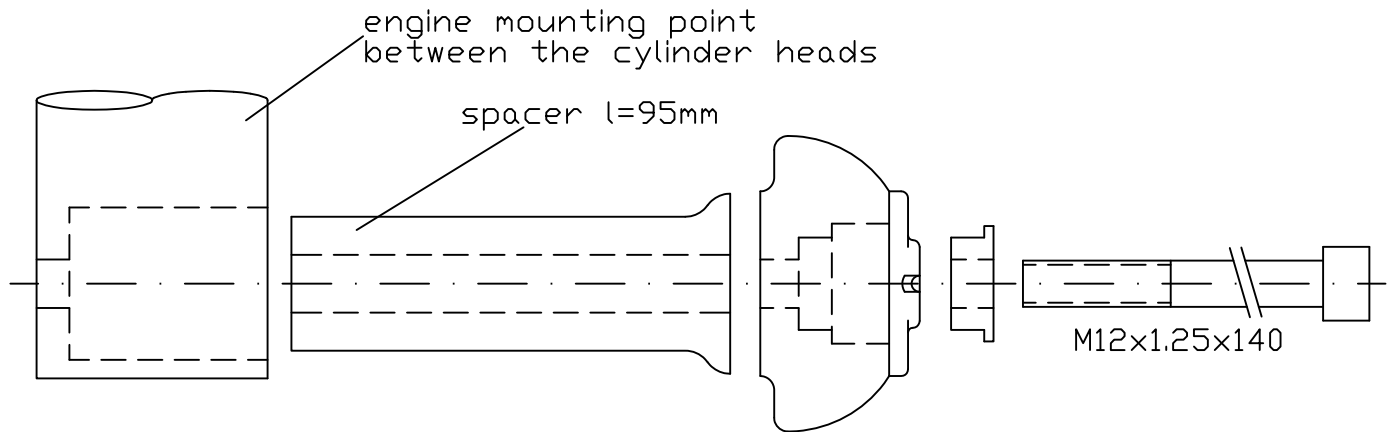
**Please take extra care!**

You have to mount the crash-pads one side after the other! Do not loose more than one engine mounting bolt at the same time!

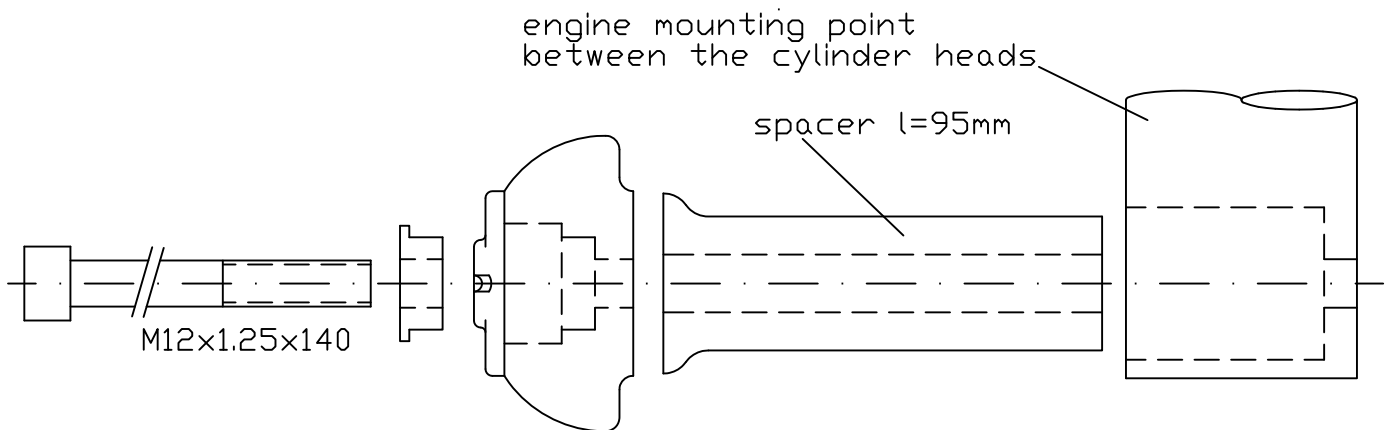
The tightening torques refer to the vehicle manufacturer's instructions!

The cowling remains unmodified!

**Fitting on the right side:**



**Fitting on the left side:**



LSL-Motorradtechnik GmbH • D-47809 Krefeld

[www.lsl.eu](http://www.lsl.eu)

Rev. 01 13/09/2010

